

GENERAL DESCRIPTION / APPLICATIONS



Two way direct acting solenoid valve with spring return.

Suitable for gaseous and liquid media compatible with the (body/seals) material used, vacuum.

Forged brass or stainless steel body.

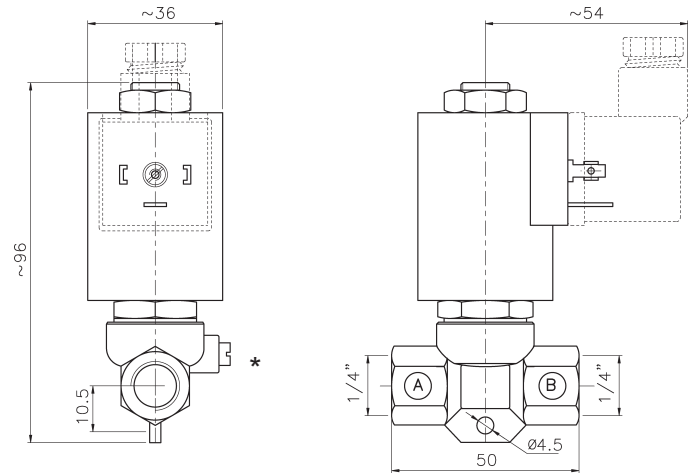
Stainless steel internal parts.

Stainless steel springs.

360° degrees orientable solenoid.

Mountable in any position.

DIMENSIONS (in mm)



* Optional Manual Operator

ELECTRICAL INFORMATION

Continuous duty glass-reinforced nylon moulded coil with electrical connection suitable for DIN-43650A plug (2 poles+ground) or "faston" wire terminal.

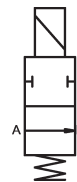
Coil type : B6
 Insulation class: F (155°C) - H (180°C) upon request.
 Winding wire class: H (180°C)
 Protection class: Waterproof IP-65 (EN60529 standards) when properly plug connected with DIN-43650A plug.
 Duty: Continuous (S.I.) 100% ED
 Power consumption(1): Alternate current 11VA (inrush 28VA)
 Direct current 11W
 Voltage tolerance: ± 10%
 Electrical Insulation: >1000 MOhm
 Dielectrical Strength: >2000 V/1"
 Standard voltages 12, 24, 48, 110, 115, 125, 220, 240 Volt
 DC= o AC~(50/60Hz): other voltages available upon request.

OPERATION



L03 - Normally closed.

In: A
 Out: B
 Coil de-energized: A and B closed.
 Coil energized: from A to B.



L08 - Normally open.

In: A
 Out: B
 Coil de-energized: from A to B.
 Coil energized: A and B closed.

SPECIFICATIONS AND AVAILABLE OPTIONS

MODEL	ORIFICE DIAMETER mm	PRESSURES IN BAR ⁽²⁾								Flow factor kv (liters/min.')	WEIGHT Kg.
		BODY RATING	MIN./MAX. OPERATING DIFFERENTIAL PRESSURE								
			MIN.	MAX. NORM. CLOSED		MAX. NORM. OPEN					
L 0 3	0 8	80	0	60	60	40	40	0,2	0,4		
L 0 3	1 8	80	0	40	35	14	14	1,2	0,4		
L 0 3	2 5	80	0	25	20	5	5	1,6	0,4		
L 0 3	3 2	80	0	14	10	3	3	1,8	0,4		

suffix (options available upon request): ⁽¹⁾ "LC" (low consumption), ⁽²⁾ "AP" (High pressure version)

a	b	c	d	e
Body material T Brass. I Stainless steel.	Port size C 1/4" GAS D 1/4" NPT	Seals material 0 Buna N 1 FPM 3 PTFE 6 EPDM	Protection class P IP 65 when properly plug connected with DIN-43650A plug.	Optional feature X Stable manual operator. Option available for NC models only.