

DESCRIPTION / DIMENSION

Two way left-assisted direct acting solenoid valve with spring return.

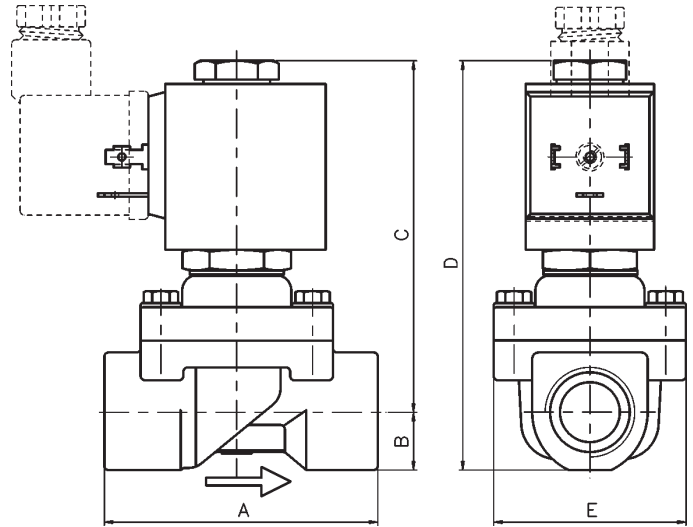


Suitable for gaseous and liquid media compatible with the (body/seals) material used, vacuum.

Stainless steel internal parts.

Stainless steel springs.

360° degrees orientable solenoid.



ELECTRICAL CHARACTERISTICS

Continuous duty glass-reinforced nylon moulded coil with electrical connection suitable for DIN-43650A plug (2 poles+ground) or "faston" wire terminal

Coil type:	B2
Insulation class:	F (155°C) - H (180°C) upon request.
Winding wire class:	H (180°C)
Service:	Continuous (S.I.) 100%ED
Power consumption	D.C.= / A.C.~8W <small>The operation in A.C. supply occurs through connector with integrated rectifier.</small>
Voltage tolerance	std. ±10% (others available upon request)
Standard voltages *	12, 24, 48, 110, 125, 220, 240
Electrical Insulation	>1000 MOhm
Dielectrical strenght	>2000V/1'

* standard value in D.C. and/or A.C. 50/60Hz - other voltages available upon request.

Port size	DIMENSIONS (millimeters)				
	A	B	C	D	E
3/8"	64	14	119	133	45
1/2"	64	14	119	133	45
3/4"	82	17	128	145	55

L34		Normally Closed
	IN	In
	OUT	Out
	Funzionamento	
	Coil De-energized	IN e OUT chiusi
	Coil Energized	flow from IN to OUT

Mount with coil facing upward in vertical position.

Technical Characteristics

MODEL						SUFFIX	ORIFICE DIAMETER (millimeter)	Nominal Pressure (bar)	Differential working pressure (bar) Δp			Flow factor (kv l./min.)	Weight Kg
a	3	4	1	2	e				Min.	Normally closed			
									Max. AC	Max. DC			
L	3	4	1	2	E _T	P	12	25	0	3	3	35	0,7
L	3	4	1	2	F _G	P	12	25	0	3	3	40	0,7
L	3	4	1	8	H _I	P	18	25	0	3	3	87	0,9

Use the following table to check or to compose the code.

a	Body material	b	Port size	c	Seals material	d	Protection class	e	Available options
T	Brass	E	3/8" GAS	T	3/8" NPT	0	Buna N	P	IP65 *
N	Nickel plated brass	F	1/2" GAS	G	1/2" NPT	1	FPM		
I	** Stainless Steel	H	3/4" GAS	I	3/4" NPT	3	PTFE		
						6	EPDM		
						7	HNBR (-45°C)		
						* When connected through plug.			
SUFFIX (optional requirements)									
	/SG	Degreasing (Oxygen duty)							
	N	Varistor							

Design and specifications are subject to change without notice, for updated information, please visit: <http://www.nadi.it>