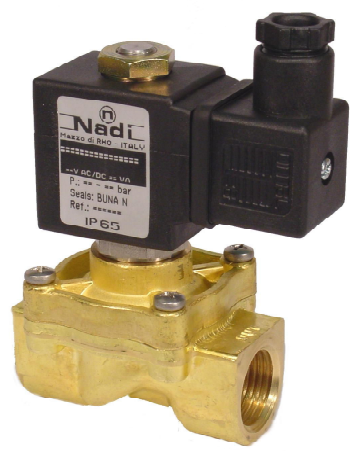


GENERAL DESCRIPTION / APPLICATIONS **DIMENSIONS (in mm)**



Two way normally open direct acting solenoid valve with spring return.

Suitable for gaseous and liquid media compatible with the (body/ seals) material used, vacuum.

Suitable for low differential pressure (zero-differential).

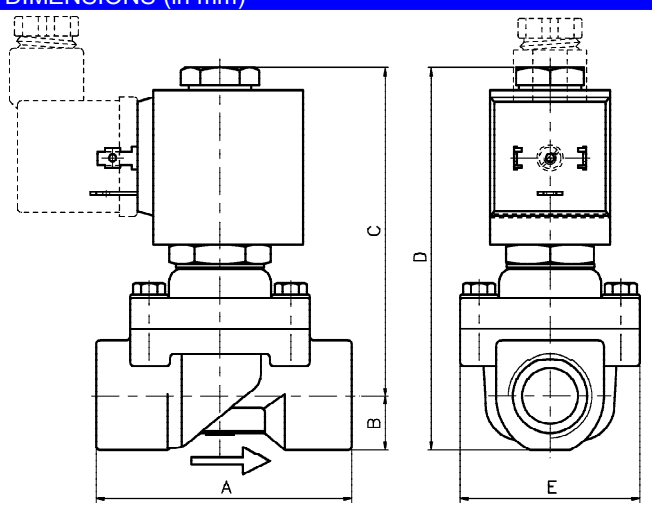
Forged brass, nickel-plated brass or stainless steel body.

Stainless steel internal parts.

Stainless steel springs.

360° degrees orientable solenoid.

Mountable in any position.

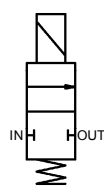


PORT SIZE	DIMENSIONS IN millimeters (mm)				
	A	B	C	D	E
3/8"	64	14	70	84	45
1/2"	64	14	70	84	45

ELECTRICAL INFORMATION **OPERATION**

Continuous duty glass-reinforced nylon moulded coil with electrical connection suitable for DIN-43650A plug (2 poles+ground) or "faston" wire terminal.

Coil Type : B2 (L64 series)
 Insulation class: F (155°C) - H (180°C) upon request.
 Winding wire class: H (180°C)
 Protection class: Waterproof IP-65 (EN60529 standards) when properly plug connected with DIN-43650A plug.
 Duty: Continuous (S.I.) 100% ED
 Power consumption (B2): Alternate Current 10VA (inrush 20VA)
 Direct Current 8W
 Voltage tolerance: ± 10%
 Electrical Insulation: >1000 MOhm
 Dielectrical Strength: >2000 V/1"
 Standard voltages: 12, 24, 48, 110, 115, 125, 220, 240 Volt
 DC= o AC~(50/60Hz): other voltages available upon request.



L54 - Normally open

In: N
 Out: OUT
 Coil de-energized: from IN to OUT.
 Coil energized: IN and OUT closed.

SPECIFICATIONS AND AVAILABLE OPTIONS

MODEL	ORIFICE DIAMETER mm	NOMINAL MAX.	PRESSURE IN BAR			Flow factor kv (liters/min.')	WEIGHT Kg.
			MIN.	DIFFERENTIAL MAX. AC~	MAX. DC=		
L 6 4 a 1 2 E T d d e	12,7	16	0	5	5	35	0,6
L 6 4 a 1 2 F G	12,7	16	0	5	5	40	0,6
			0	5	5	87	0,9

a	b	c	d	
Body material T Brass. N nickel-plated brass I Stainless steel * * available only for 1/2" and 3/4" valve.	Port size E 3/8" GAS T 3/8" NPT F 1/2" GAS G 1/2" NPT	Seals material 0 Buna N 1 FPM 3 RULON 6 EPDM	Protection class P IP 65 when properly plug connected with DIN-43650A plug.	

Rev. W1- ENG 2009

Le caratteristiche possono subire variazioni senza preavviso / Characteristics may change without notice.